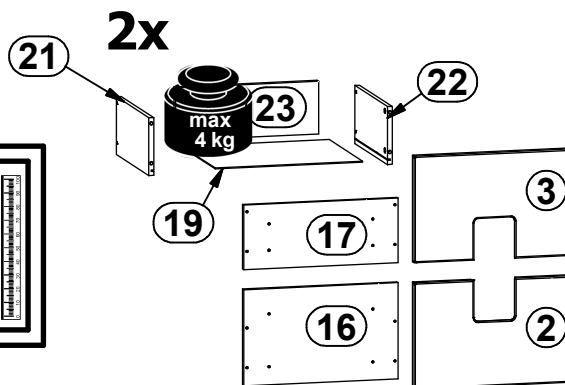
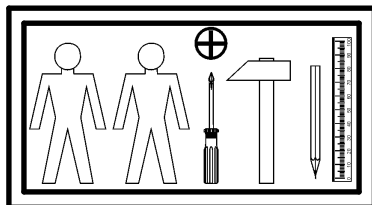
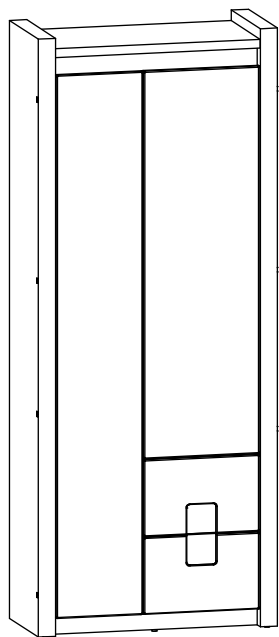
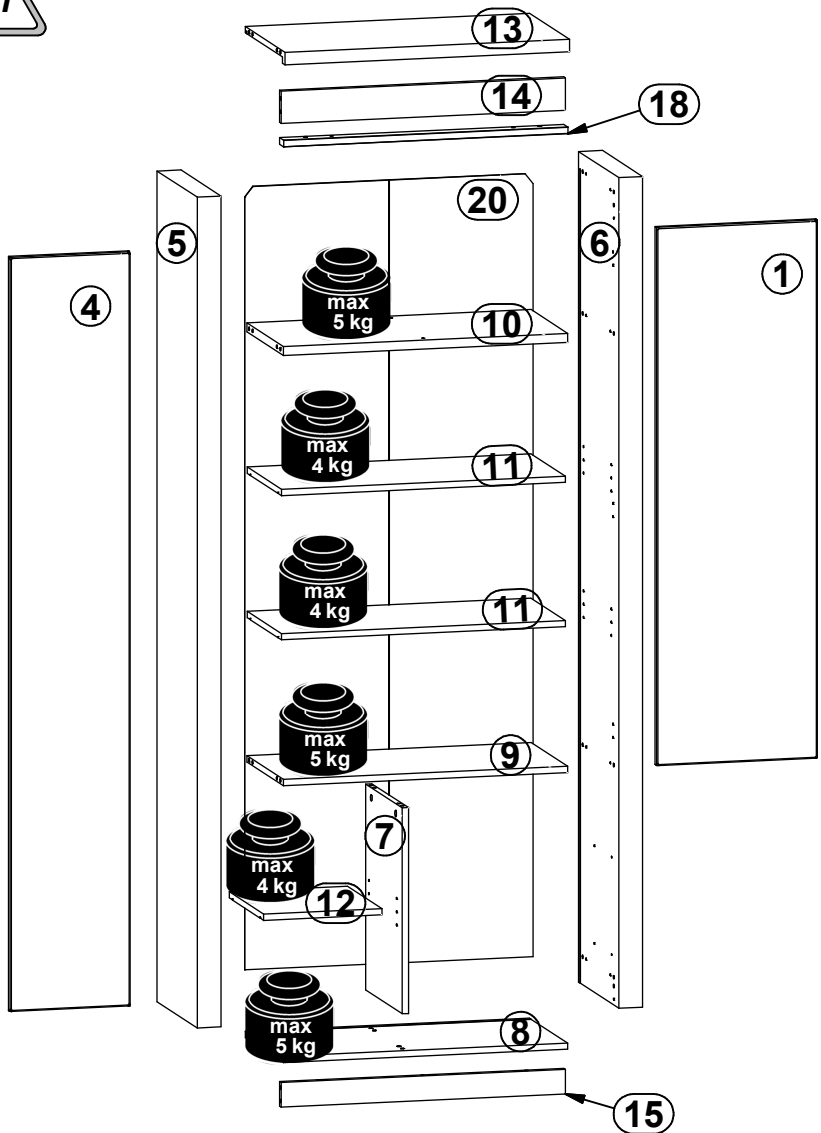
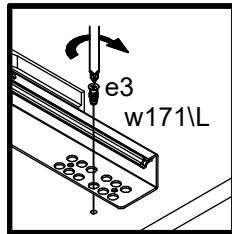
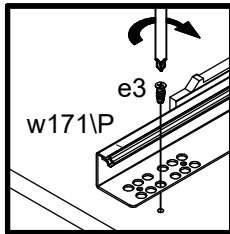
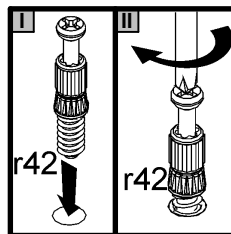
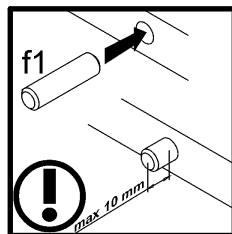
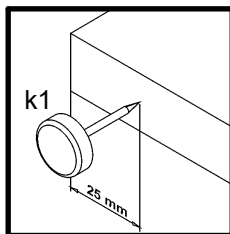
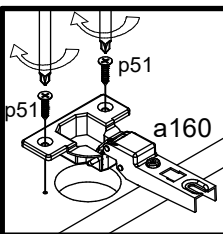
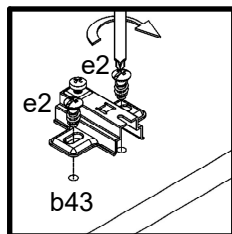
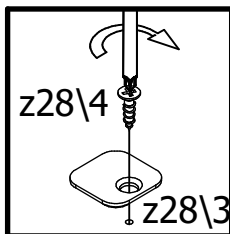
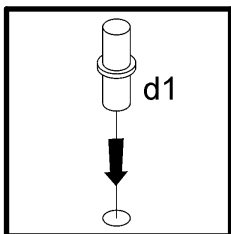
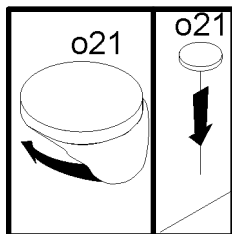
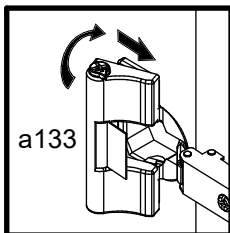
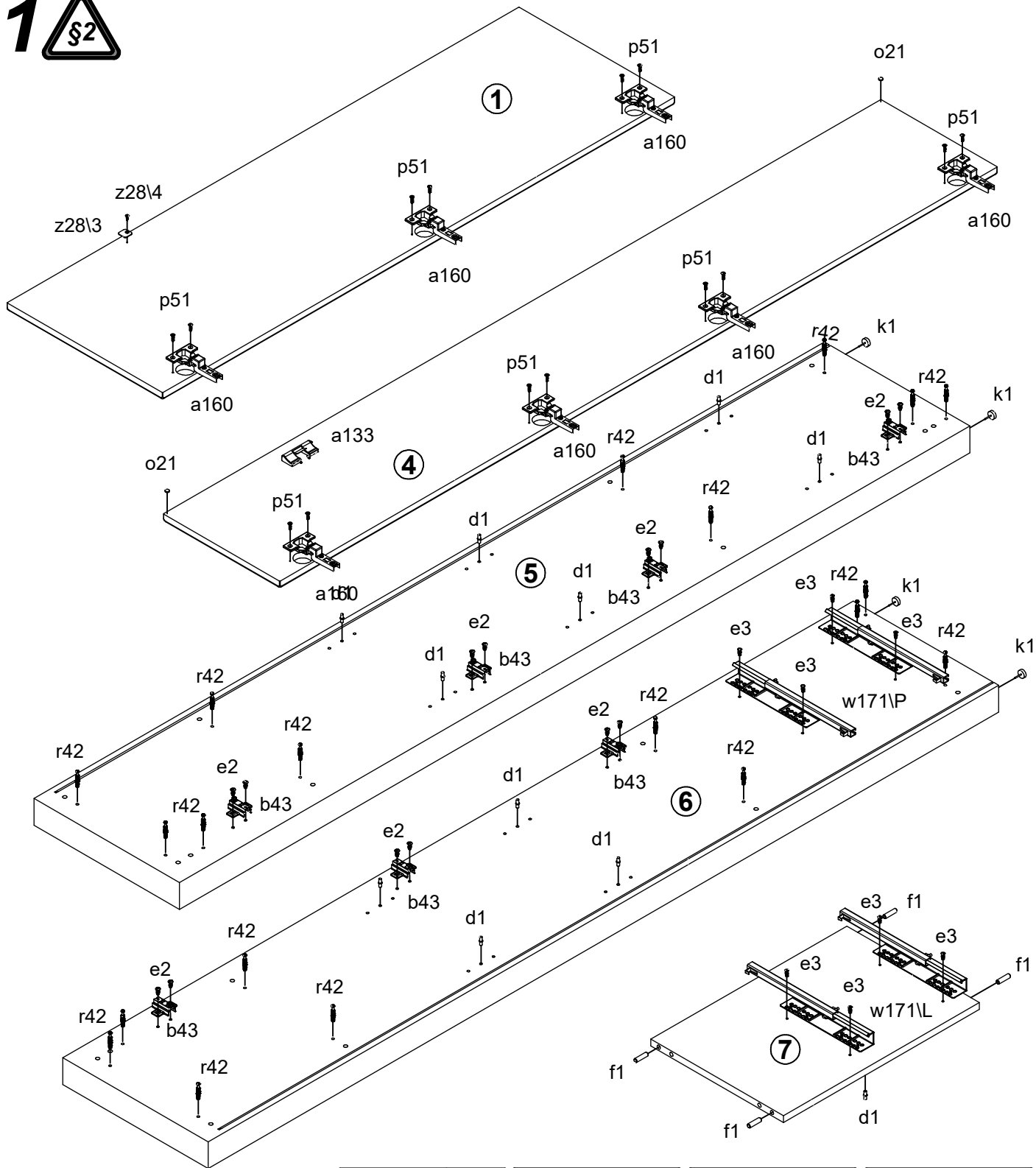


A	B	C	D	
1	S420-0030	1302	396	3/4
2	S420-0031	396	258	3/4
3	S420-0032	396	258	3/4
4	S420-0033	1824	296	4/4
5	S420-1032	2009	370	1/4
6	S420-1033	2009	370	1/4
7	S420-1034	498	337	2/4
8	S420-3036	701	353	2/4
9	S420-3037	701	337	2/4
10	S420-3038	701	337	2/4
11	S420-3039	700	317	2/4
12	S420-3040	292	317	2/4
13	S420-3041	701	369	2/4
14	S420-4058	701	78	2/4
15	S420-4059	701	60	2/4
16	S420-4060	381	233	3/4
17	S420-4061	381	156	3/4
18	S420-5018	701	37	2/4
19	S420-9023	363	307	2/4
20	S420-9308	1894	711	1/4
21	ZQ6-509	300	140	2/4
22	ZQ6-510	300	140	2/4
23	ZQ6-5157	353	127	3/4

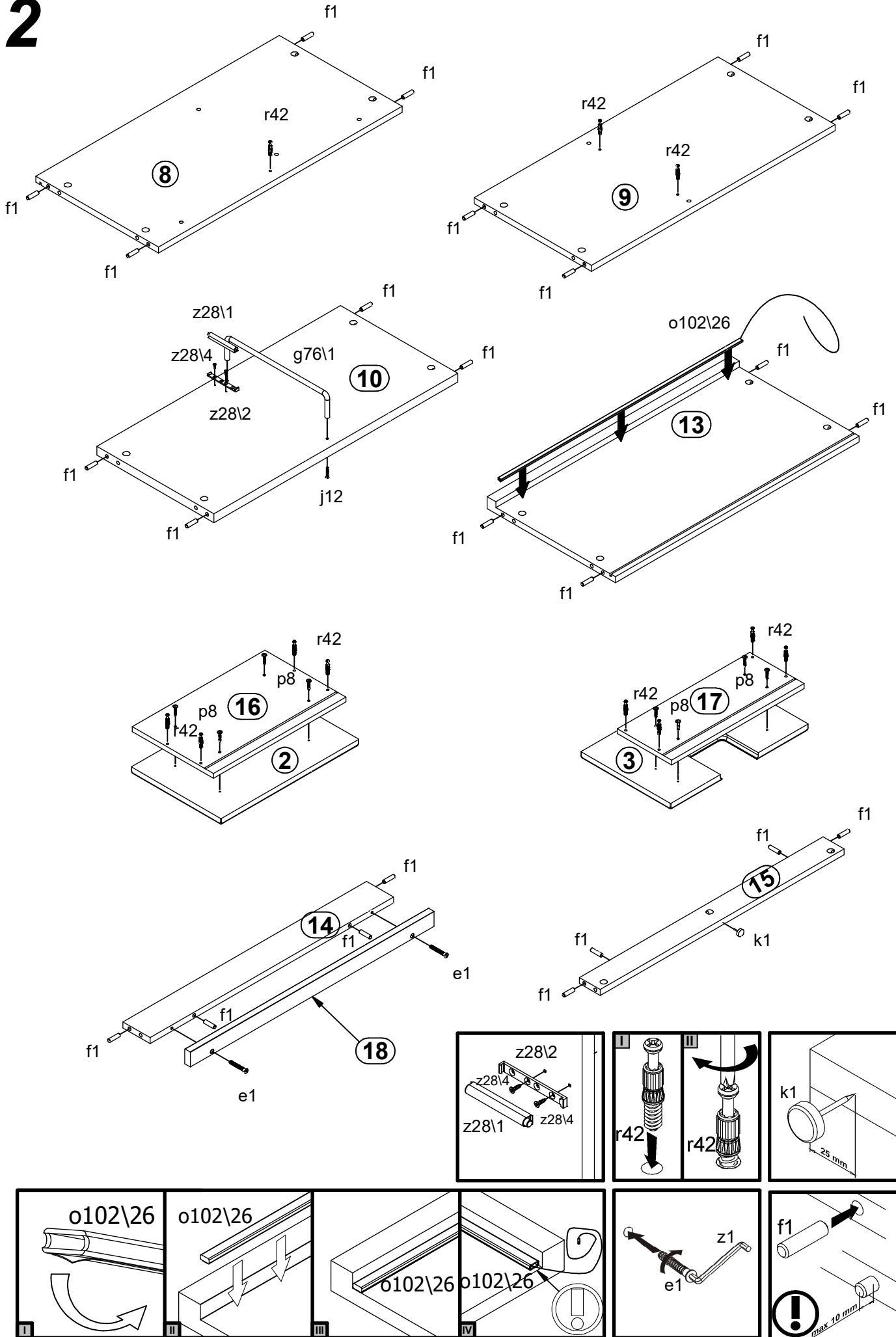


7x K 18 90° Ø35 a160	7x b43	12x Ø5x17 mm d1	4x Ø7x50 mm e1	14x Ø6.3x13 mm e2	8x Ø6x13 mm e3	28x Ø8x30 mm f1	8x Ø6.5x40 mm f25	1x L=298x60 g76\1
2x M4x28mm j12	5x k1	14x l2	1x 10x18 mm o83\4	7x Ø3.5x16 mm p38	14x Ø3.5x15 mm p51	12x Ø2.9x16 mm p55	8x Ø4x25 mm p8	23x Ø15x12 mm #16 r1
8x Ø12x10.5 mm #12 r15	31x 20/11 r42	2x L=300 mm w171\1	2x L=300 mm w171\1P	1x z28\1	1x 82x9.5x6.5mm z28\2	1x 20x20x1.5 mm z28\3	3x Ø3x12mm z28\4	2x s1
10x Ø 20mm s68	1x 4 mm z1	1x n26\1	1x o70\9	1x L=695 mm o102\26	2x silikon o21	1x a133		

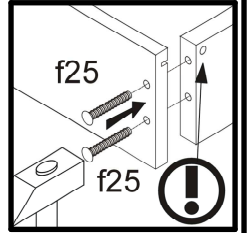
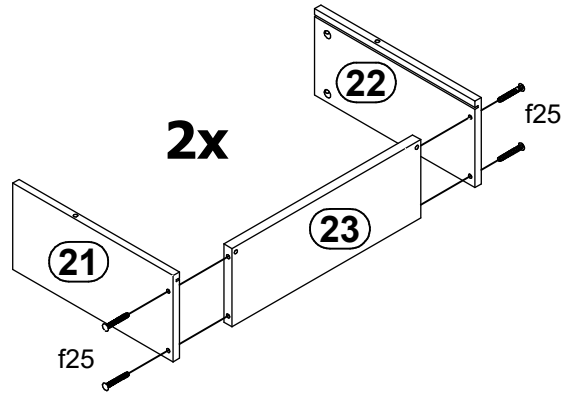
1 



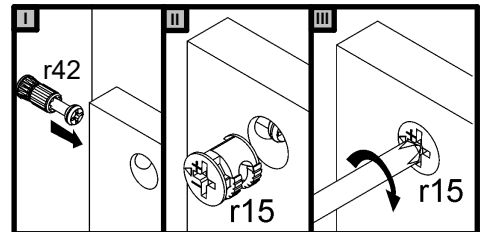
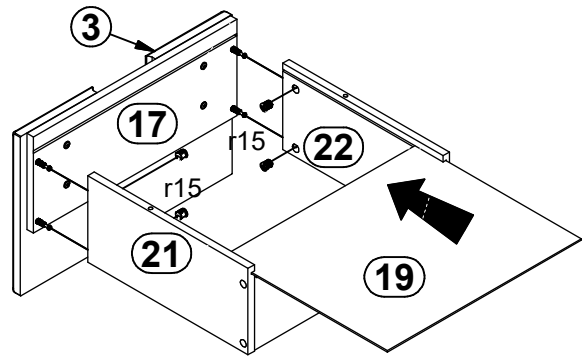
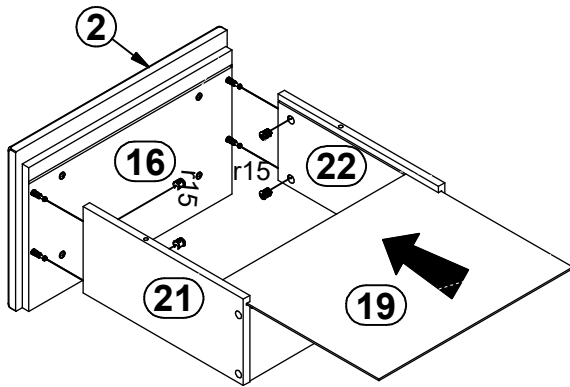
2



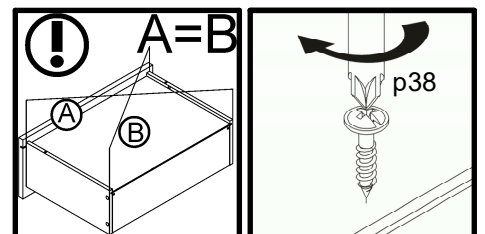
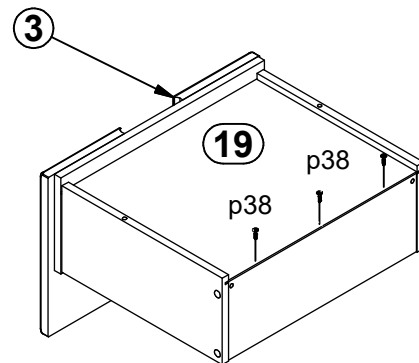
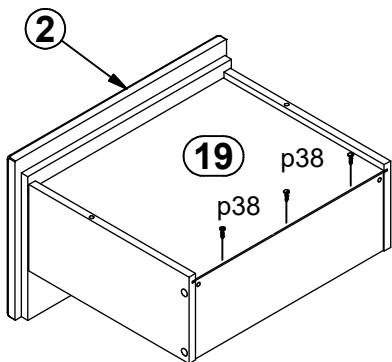
3



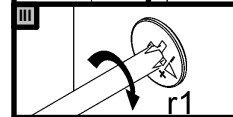
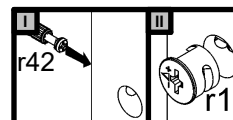
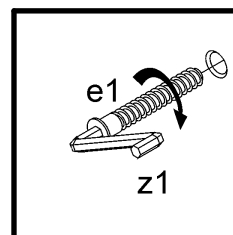
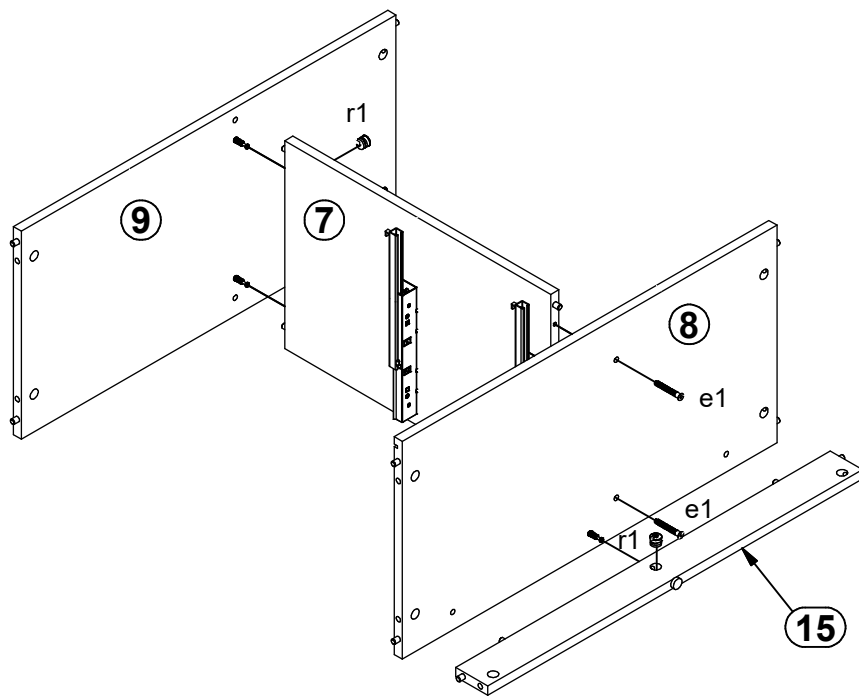
4



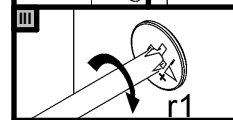
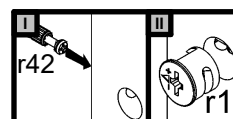
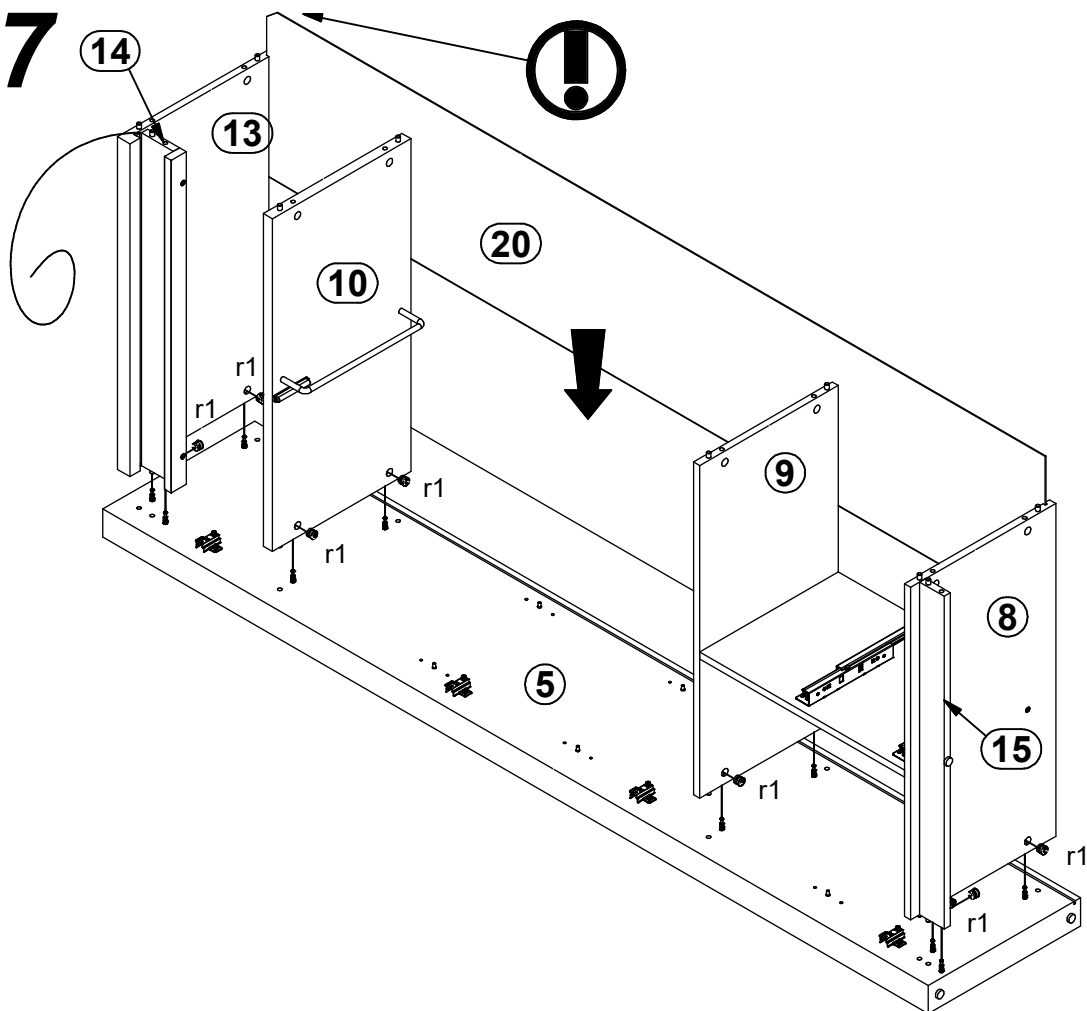
5



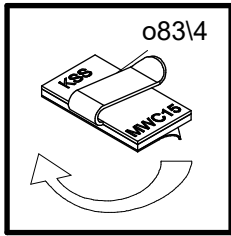
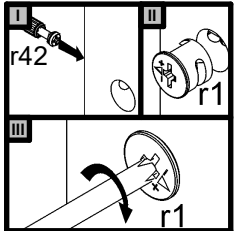
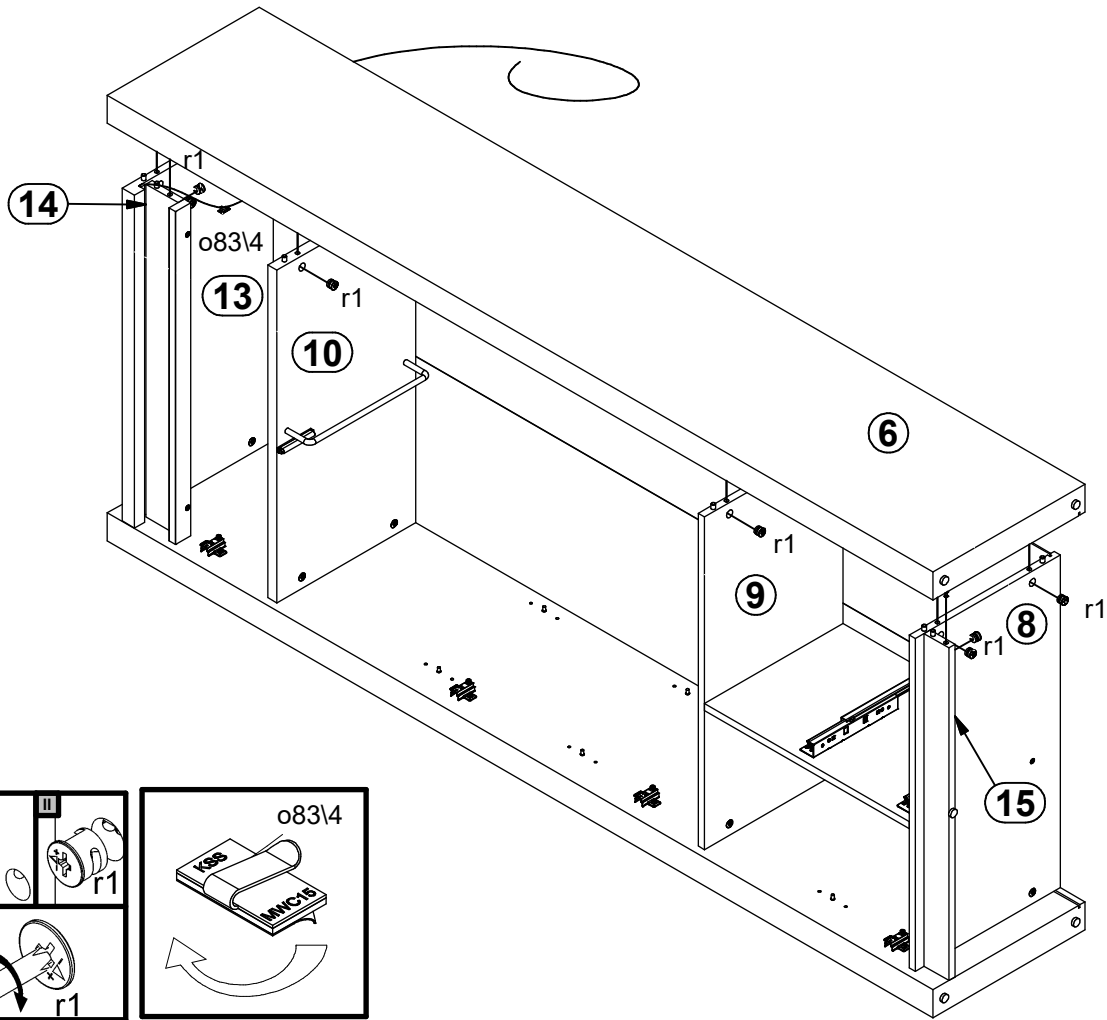
6



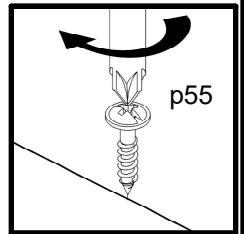
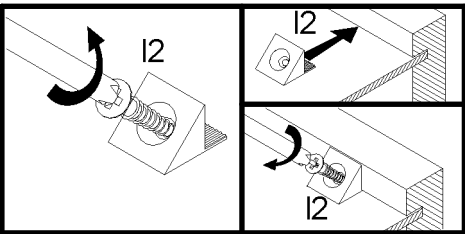
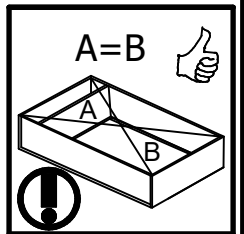
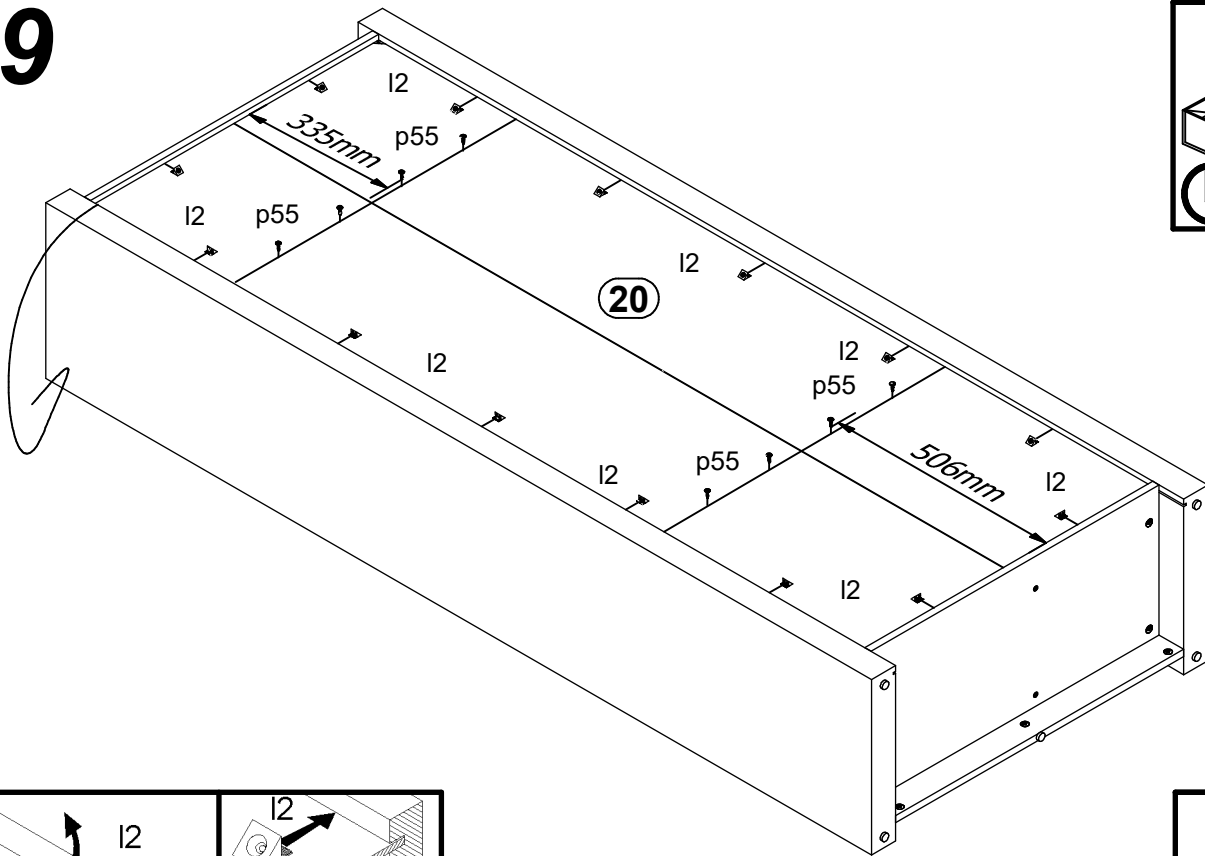
7



8



9



10

