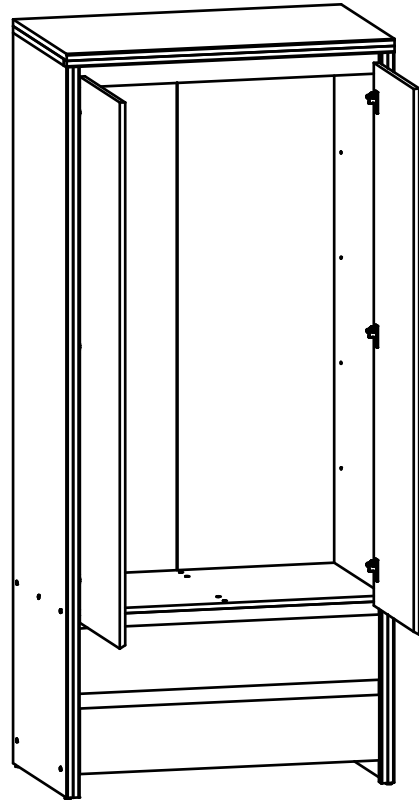
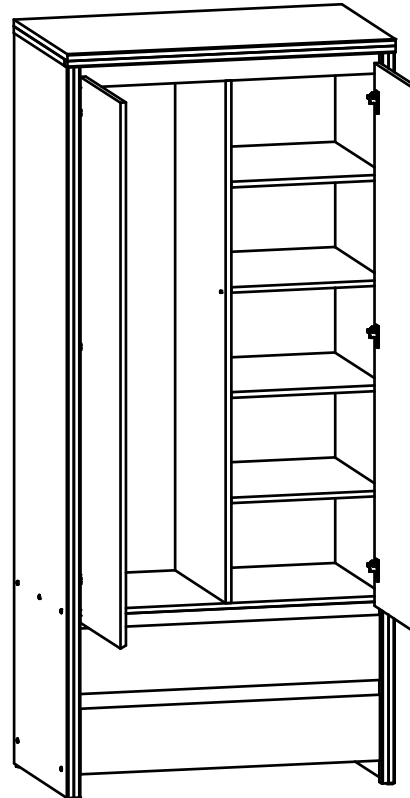


**A**



S128-SZF2D2S

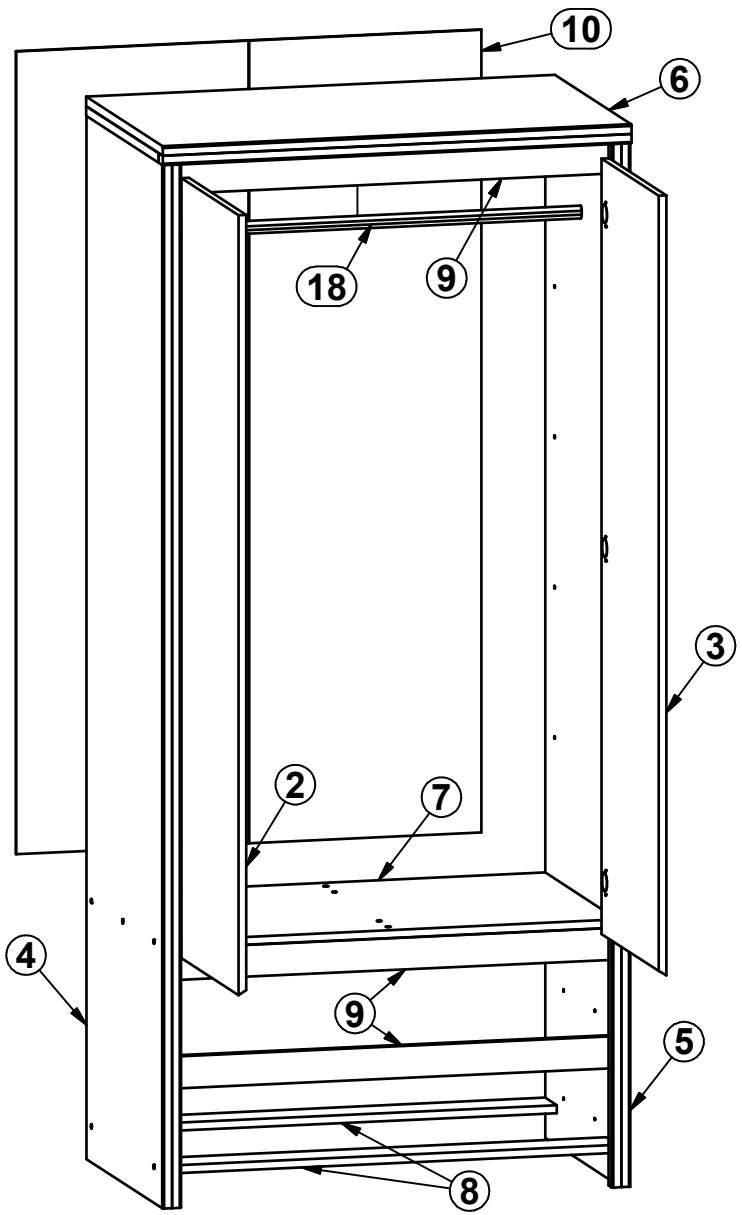
**B**



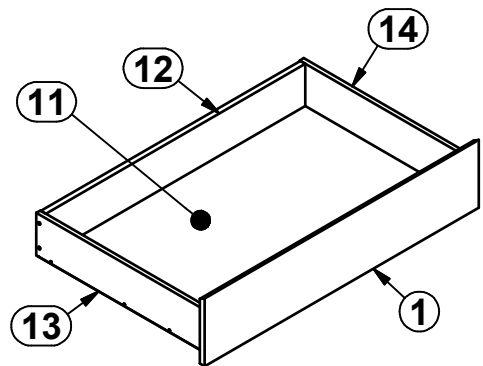
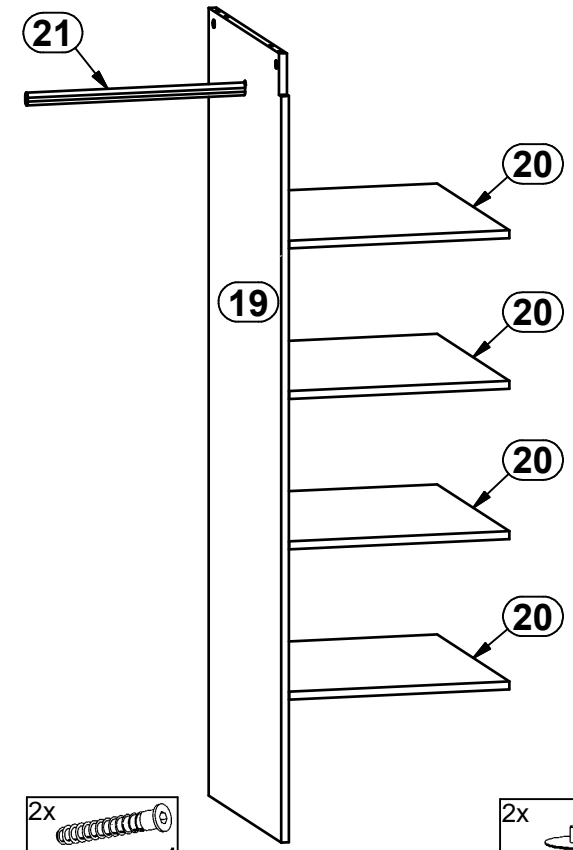
S128-SZF2D2S + S128-WKSZF/86

# A S128-SZF2D2S S128-WKSZF/86

A	B	C1	C2	C3	D
1	S508-0022	822	176	15	3/3
2	S508-0024	1468	410	15	3/3
3	S508-0025	1468	410	15	3/3
4	S508-1038	1964	546	36	2/3
5	S508-1039	1964	546	36	2/3
6	S508-2013	900	549	36	1/3
7	S508-3020	863	520	15	1/3
8	S508-4017	863	82	15	1/3
9	S508-4018	863	60	15	1/3
10	S508-9308	1511,	893	2,5	2/3
11	WSP-9298	798,	505	2,5	2/3
12	ZS7-5038	778	110	15	1/3
13	ZS7-517	500	110	12	1/3
14	ZS7-518	500	110	12	1/3
18	dr-857	857	22	15	1/3



A	B	C1	C2	C3	D
19	S508-1040	1482,5	519	15	1/1
20	S508-3021	423	518	15	1/1
21	dr-418	418	22	15	1/1



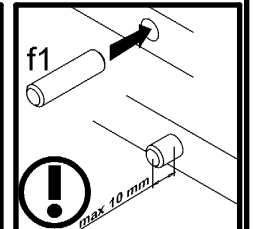
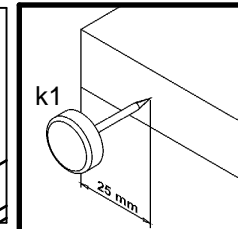
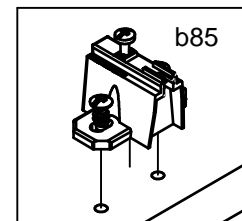
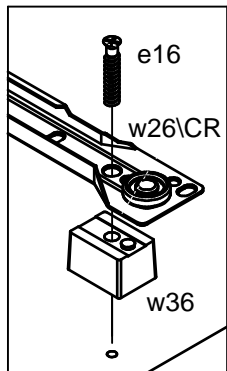
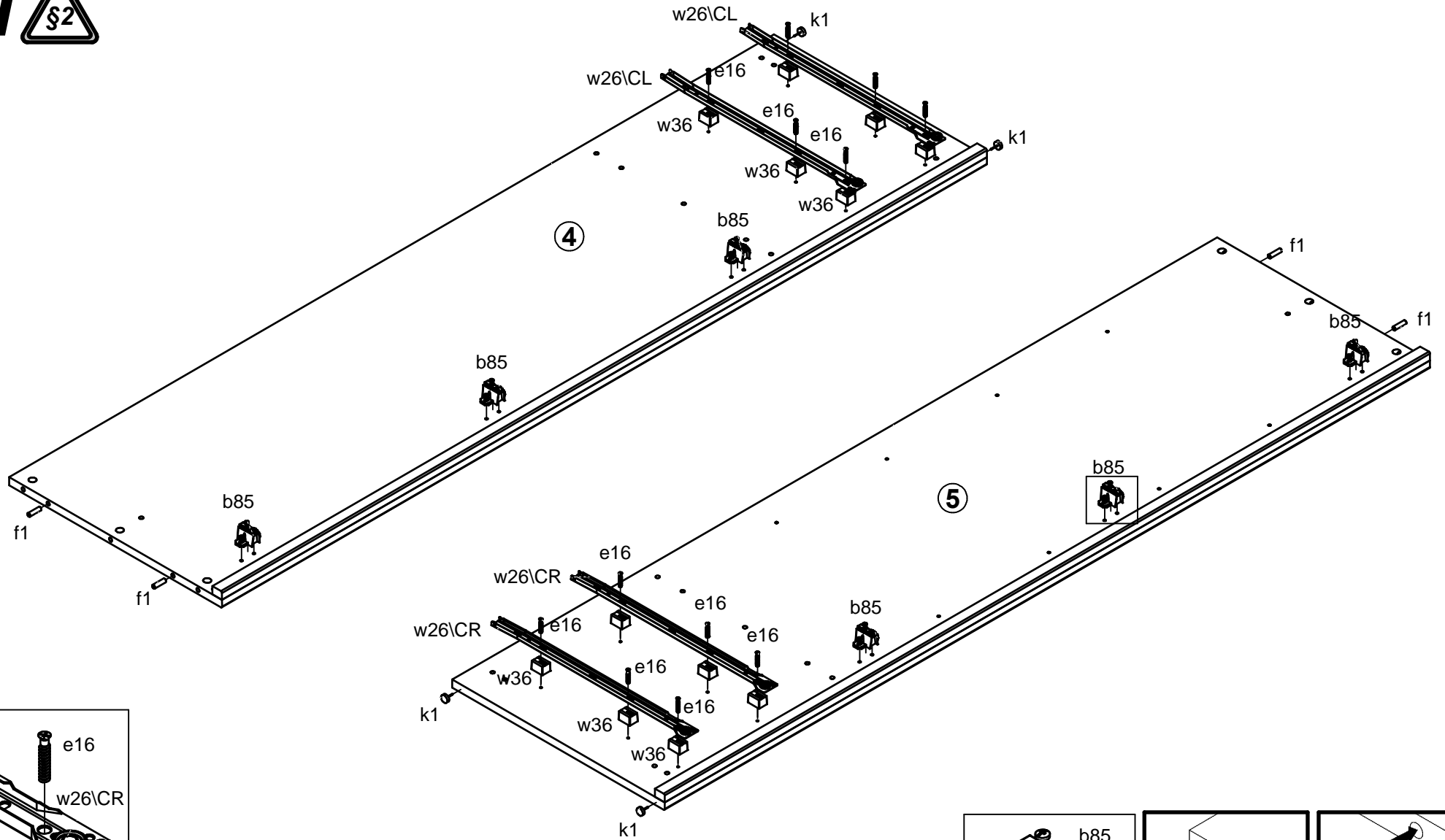
- 12x w36 H=18 mm
- 4x f9 Ø6x30 mm
- 6x a172 K18 Ø35
- 6x b85 D24,5
- 2x p25 φ3,5x16 mm
- 10x e1 φ7x50 mm
- 12x e19 φ5x9 mm
- 2x p35 Ø3,5x10 mm
- 12x e16 φ6x30 mm
- 24x f1 φ8x30 mm
- 2x t34 500 mm
- 8x f25 φ6,5x40 mm
- 4x k1
- 65x l1
- 2x n1
- 2x p1 φ3,5x13 mm
- 12x p51 φ3,5x15 mm
- 6x r1 φ1,5x12mm #16
- 8x r15 φ12x10,5mm #12
- 14x r42
- 2x w26\CL 500 mm
- 2x w26\CR 500 mm
- 2x w26\DL 500 mm
- 2x w26\DR 500 mm
- 10x s1
- 6x s2 ø16
- 1x z1

- 2x e1 φ7x50 mm
- 2x s2 ø16
- 16x d1 φ5x17 mm
- 4x f1 φ8x30 mm
- 2x r42
- 2x r1 φ1,5x12mm #16

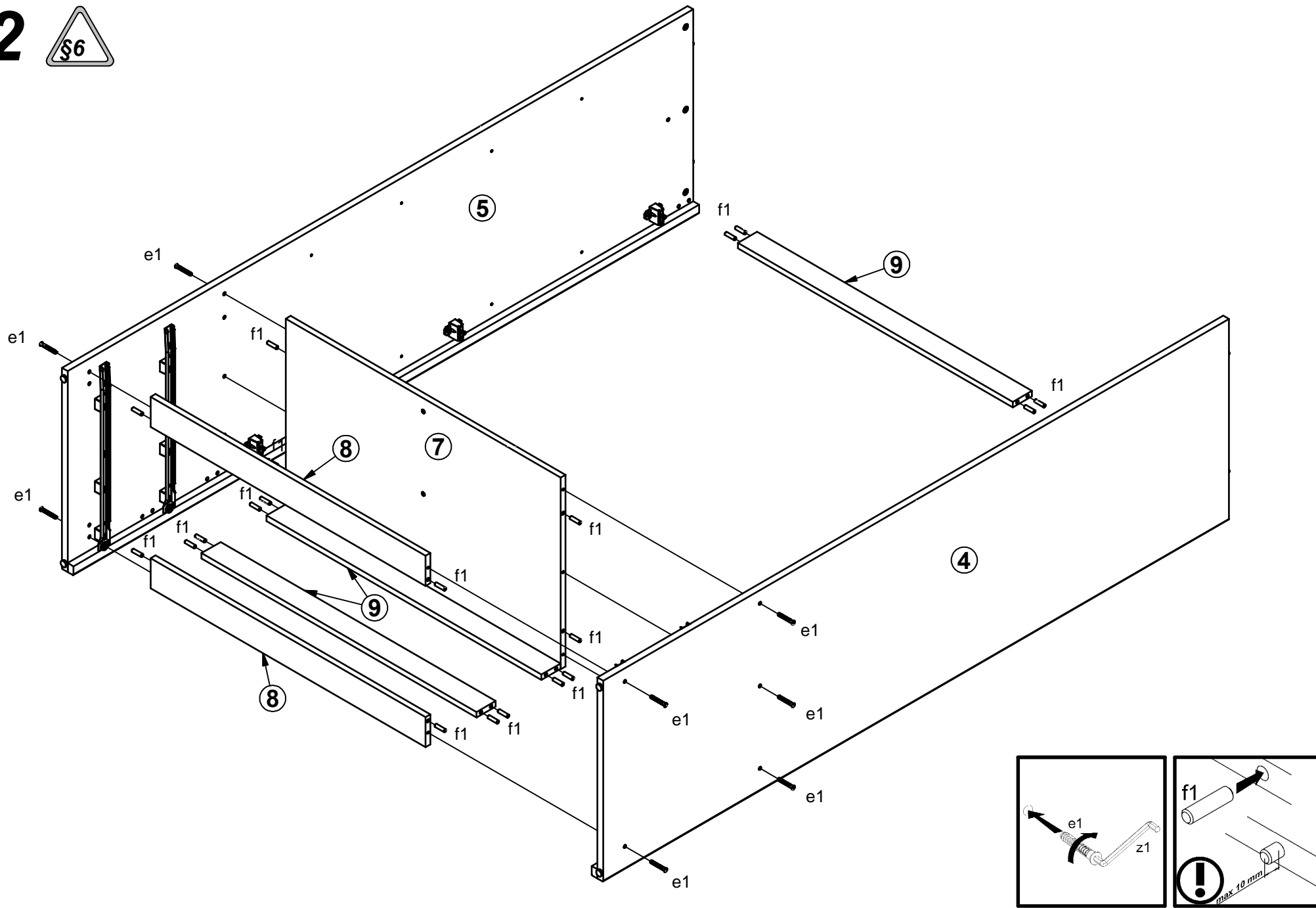
- 1x f35 Ø10x50 mm
- 1x n14\2 88x21x151,5
- 1x p17 Ø5x60 mm
- 2x p38 Ø3,5x16 mm

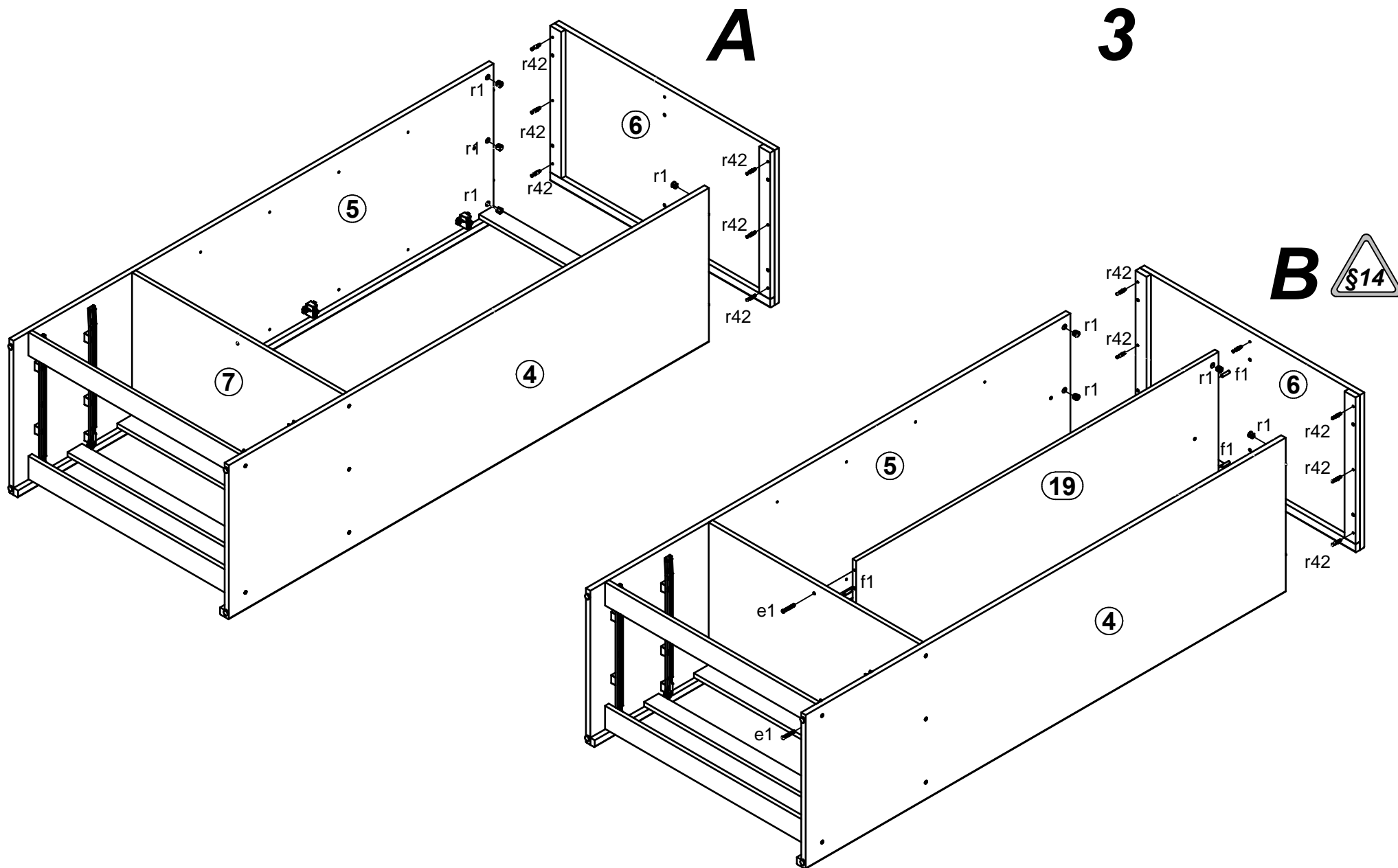


1 §2

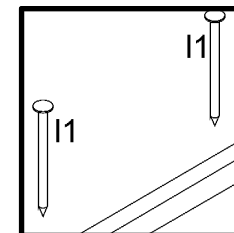
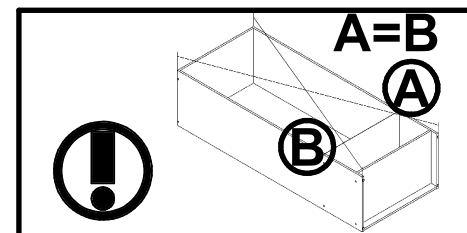
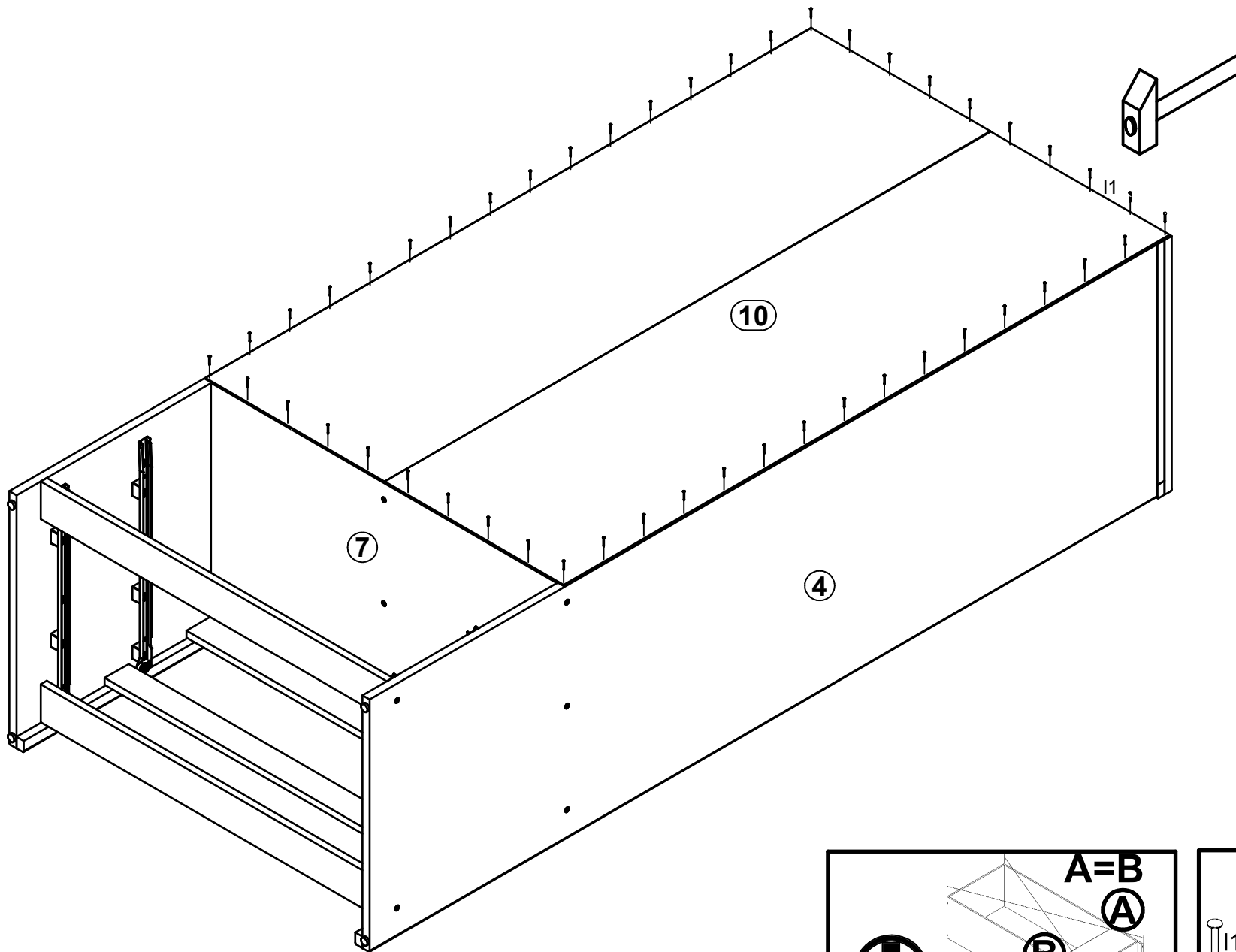


2 

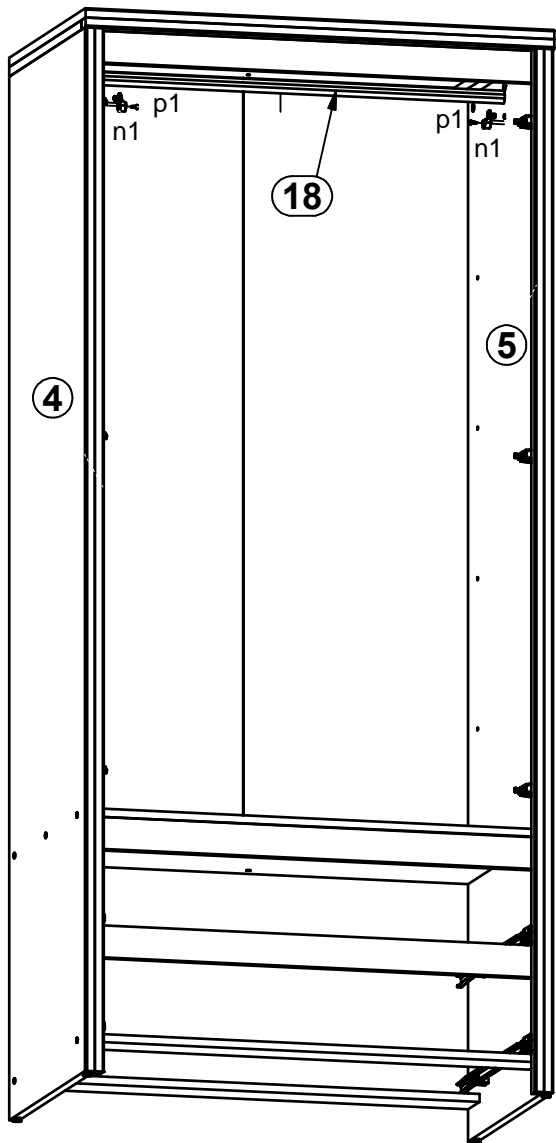




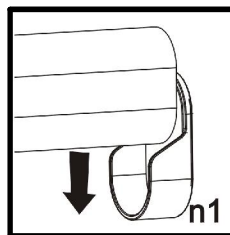
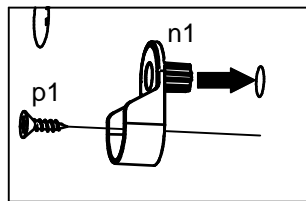
4



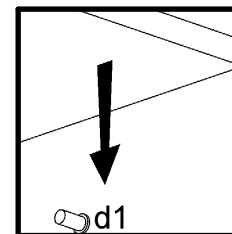
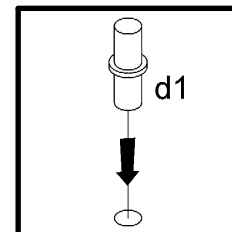
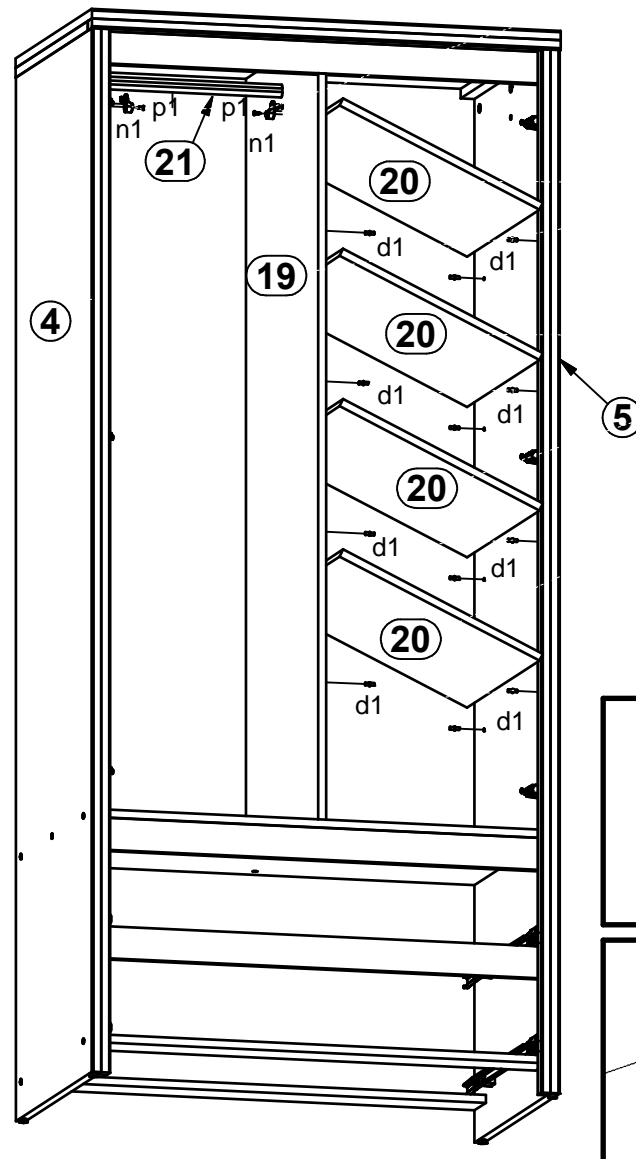
A



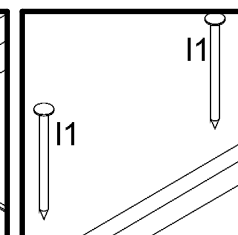
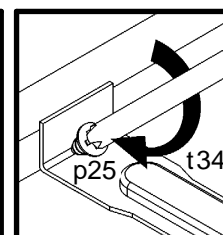
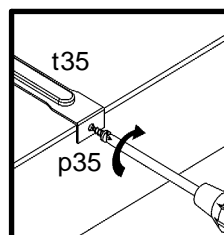
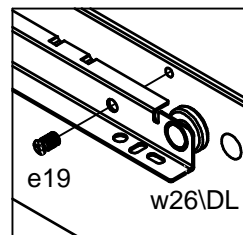
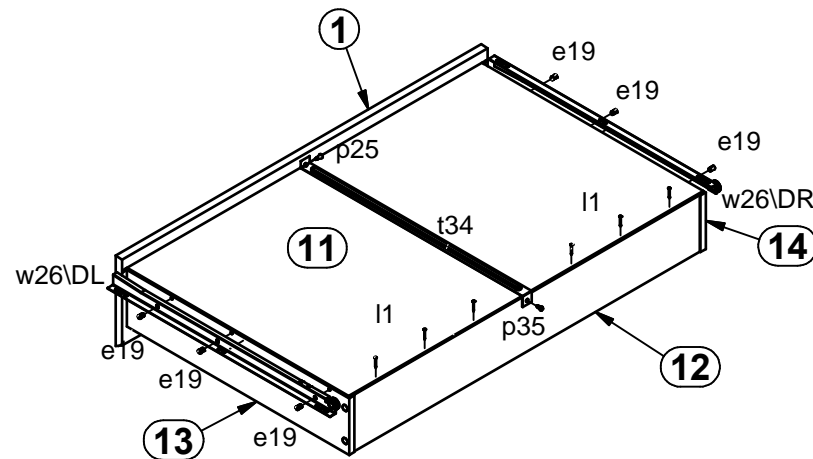
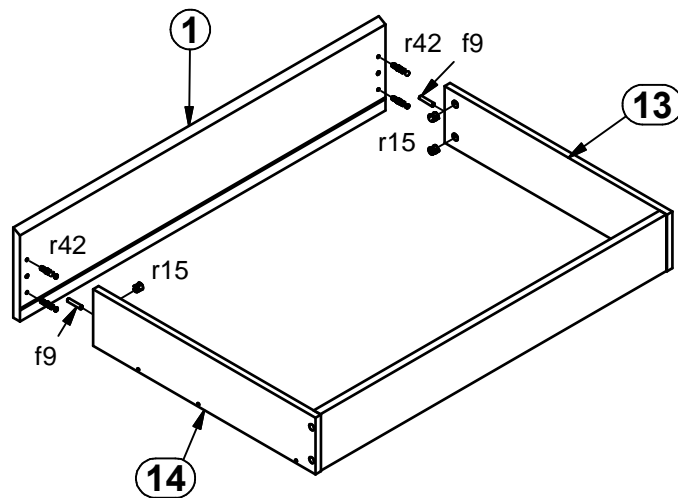
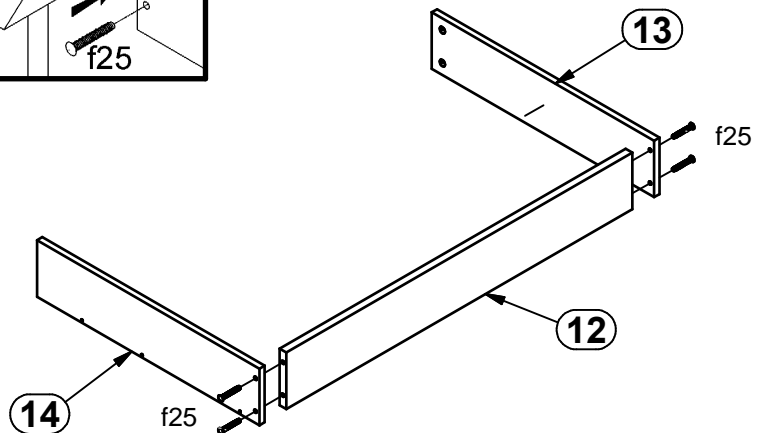
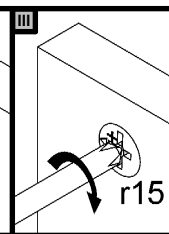
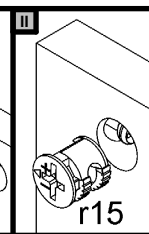
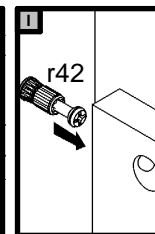
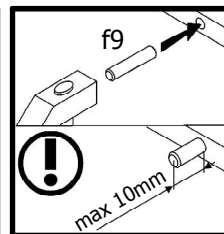
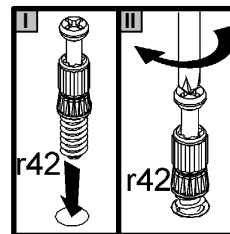
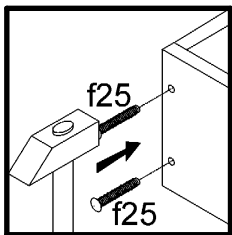
5



B



6





# 7

